

Vertigo

SPACE-SAVING WATER HEATER WITH FLAT DESIGN



+ PRODUCT

COMFORT

- Space-saving solution for easy integration
- Flat design (less than 30 cm depth)
- Multiposition installation: Can be installed both vertically and horizontally to fit in living rooms, bathrooms and kitchens
- Permanent comfort guaranteed: 1 shower in less than 50 minutes

QUALITY - DURABILITY

- Double sheathed heating element
- Long tank lifetime thanks to O'Pro exclusive anti-corrosive system
- Magnesium anode for strengthened tank protection
- New generation diamond-quality enamel (glass-lined inner tank)
- Pressure relief valve
- Dielectric union
- Specific lip gasket to avoid corrosion around flange

USER-FRIENDLINESS

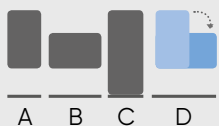
- IP 24 - full compliance with European standards for electrical safety and user protection
- Easy installation with wall-mounting plates and drilling template
- Intuitive interface with Shower-ready indicator
- Heating light indicator

SAVINGS

- Accurate mechanical thermostat
- High-efficiency water inlet
- CFC-free high-density insulation for more energy savings

ELECTRIC WATER HEATER

25 TO 80 L (MULTIPOSITION INSTALLATION)



Model available**



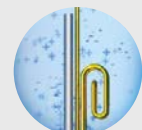
More hot water



Intuitive interface

MAGNESIUM ANODE

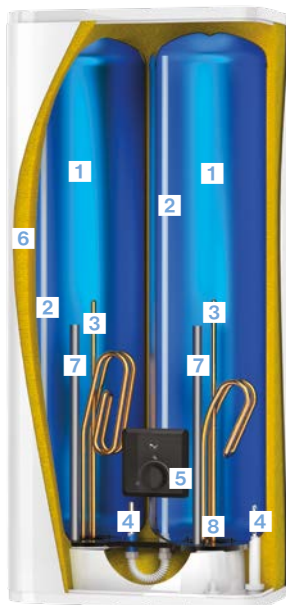
Tank protection



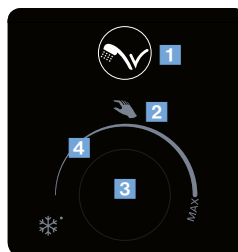
Copper heating element

*Depending on models - **Model types: A: Vertical wall-mounted / B: Horizontal wall-mounted / C: Floor-standing / D: Multiposition installation

Vertigo



- 1 Diamond-quality enamel (glass-lined inner tank)
- 2 Optimised stainless steel outlet pipe
- 3 Sheathed immersion heating element
- 4 Inlet diffuser
- 5 Intuitive interface
- 6 High-density polyurethane foam 0 % CFC
- 7 Magnesium anode
- 8 O'Pro anti-corrosive system



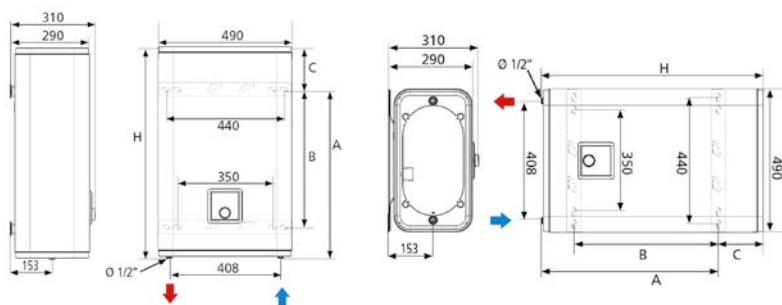
- 1 Shower-ready indicator: Light is on when at least one shower is available
- 2 Quick mode selection control knob
- 3 Manual mode: Manual selection of hot water quantity
- 4 Anti-frost mode (7°C)

O'Pro
Olimic protection

O'Pro exclusive anti-corrosive system balances out the electrical potential of the tank and immersion heating element. Thus, the magnesium anode life is considerably increased and protection against corrosion is reinforced.

+50%
TANK LIFETIME

INSTALLATION DIMENSIONS



TECHNICAL DATA

MODEL	CAPACITY (L)	POWER OUTPUT EXIT TANK (W)	POWER OUTPUT ENTRY TANK (W)	TOTAL HEAT-UP TIME $\Delta T=50^{\circ}\text{C}$ (15°C → 65°C)	HEAT-UP TIME EXIT TANK
Vertigo 30	25	1000	1000	1h32	0h46
Vertigo 50	40	1500	1000	2h02	0h49
Vertigo 80	65	1500	1000	3h19	1h19
Vertigo 100	80	1500	1000	4h04	1h38

DIMENSIONS

MODEL	DIMENSIONS (mm)						NET WEIGHT (kg)	ERP ENERGY EFFICIENCY CLASS	PROFILE
	HEIGHT (H)	WIDTH (W)	DEPTH ⁽¹⁾ (D)	A	B	C			
Vertigo 30	600	490	290	435	280	165	17	B	S
Vertigo 50	765	490	290	610	500	155	21	C	M
Vertigo 80	1090	490	290	975	700	115	29	C	M
Vertigo 100	1300	490	290	1185	800	115	34	C	M

(1) Without wall plate